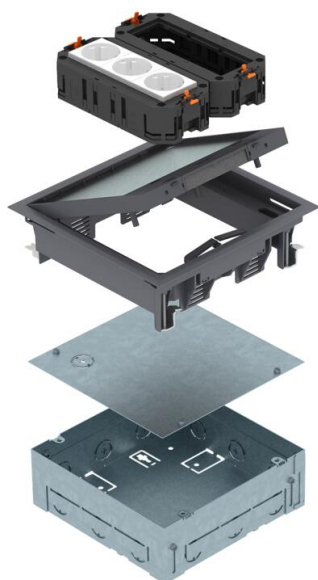


# Technical data sheet

## Complete solution, GES4 service outlet

Item number: 7427410



Square installation unit for six Modul 45 installation devices, for use in dry-care cavity floors and screed floors for indoor use, consisting of an installation housing, GES4-2 service outlet, two UT universal supports and a triple 33° protective contact socket, in white. Installation housing with pre-marked insertion openings for pipelines (M25), adjustable to top edge of screed. In the as-delivered state, the installation housing is closed with a blanking lid. After screed work, the service outlet can be inserted in the created mounting opening. 3, 5, 8 or 10 mm floor covering recess in the hinged cover of the service outlet.

The minimum installation depth is 72 mm including floor covering, the height adjustment range +30 mm.



PA Polyamide

### Master data

Item number	7427410
Type	GES4 BOX 7011
Description 1	Service outlet-Set
Description 2	with sockets
Manufacturer	OBO
Dimension	222x222x73mm
Colour	Iron grey; RAL 7011
Material	Polyamide
Smallest sales unit	1
Unit of quantity	Piece
Weight	281 kg
Weight unit	kg/100 pc.
CO2 Footprint (GWP) Cradle-to-Gate	10,4031 kg CO2e / 1 Piece

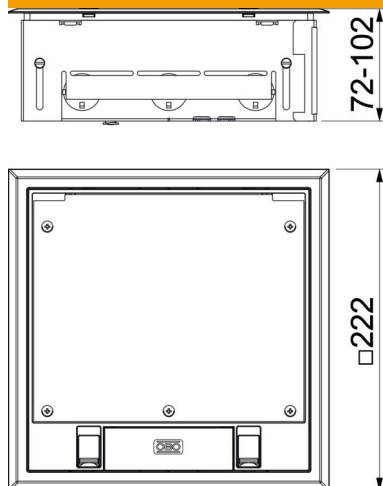
# Technical data sheet

Complete solution, GES4 service outlet

Item number: 7427410



## Dimensions



## Technical data

Cable outlet version	Swivellable cord outlet
Screed height, max.	100 mm
Screed height, min.	80 mm
Protection rating (IP) when used	IP20
Protection rating (IP) when unused	IP40
Protection rating IK code	IK08
Opening mechanism	Locking slider
Floor covering thickness	5 mm