

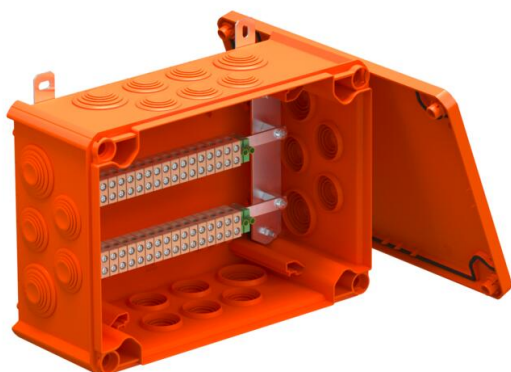
Technical data sheet

FireBox T350, with plug-in seals, for data technology, 4x32

Item number: 7205772



Connection box for data technology with soft plug-in seals. Pairs of high-temperature-resistant ceramic terminals, suitable for data cables. Green-yellow labeled protective conductor/shield terminal. Fastening on easily accessible external flaps. Approved for cable systems that maintain the electrical function according to DIN 4102 Part 12 with the classes E30, E60 and E90. Ceramic clamps have been tested according to DIN EN 60998-2-1:2004.



Including 2x MMSplus P 6x35 screw ties.



PP Polypropylene

Master data

Item number	7205772
Type	T350ED 4x32AD
Description 1	Junction box
Description 2	for function maintenance
Manufacturer	OBO
Dimension	285x201x120
Colour	Pastel orange; RAL 2003
Material	Polypropylene
Smallest sales unit	1
Unit of quantity	Piece
Weight	158.251 kg
Weight unit	kg/100 pc.
CO Footprint (GWP) Cradle-to-Gate	5,6049 kg COe / 1 Piece

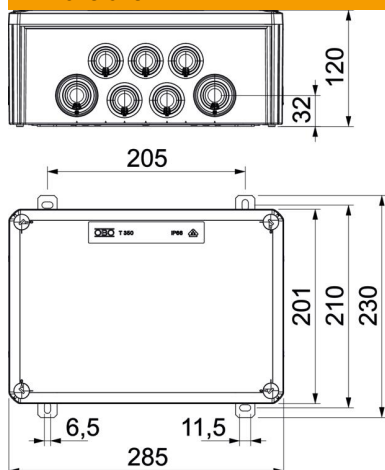
Technical data sheet

FireBox T350, with plug-in seals, for data technology, 4x32

Item number: 7205772



Dimensions



Length	285 mm
Width	201 mm
Height	120 mm
Dimension B	201 mm
Dimension H	120 mm
Dimension L	285 mm
Dimension L1	205 mm
Dimension L2	230 mm

Technical data

Expandable	no
No. of entries	10
Number of terminals	36
Type of housing penetration	Cuttable stepped membrane
Equipment	Terminal
Cover	Not transparent
Cover fastening	Screwed
Entry from rear	no
Entries	16 x M32
	8 x M40
Explosion-tested version	no
Shape	Rectangular
Maintain electrical functions	E 90
For Ex zone	Without
For Ex zone gas	Without
For Ex zone dust	Without
Halogen-free	yes
Clear internal dimensions	267x182x110 mm
With screening	no
with lid	yes
Nominal cross-section, max.	4 mm ²
Nominal cross-section, min.	0.5 mm ²
Nominal voltage	660 V
Sealable	no
Impact-resistant	no
Protection rating	IP66
Transparent lid	no
Weatherproof	no